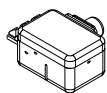
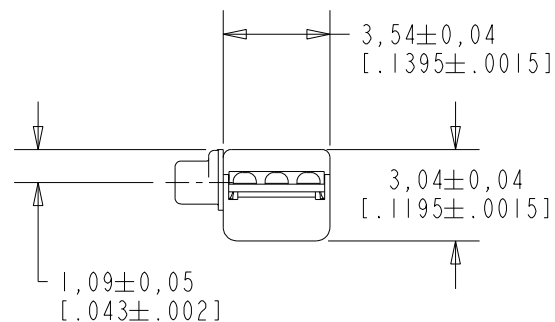
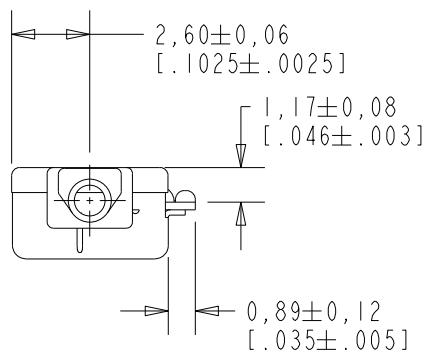
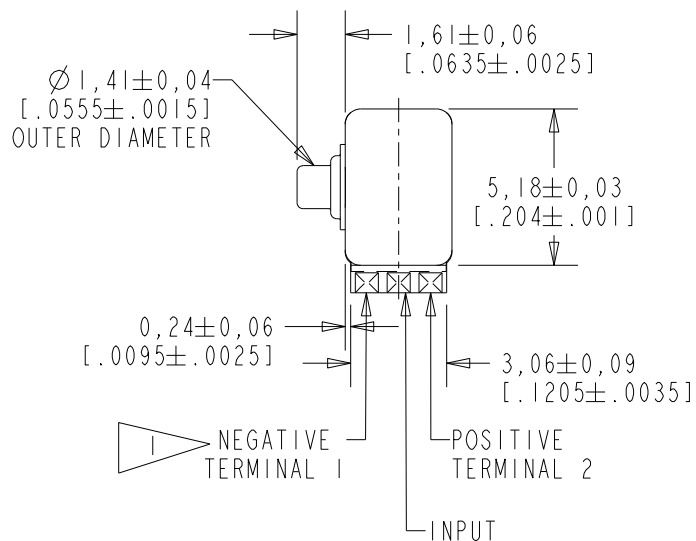


ES-23167-000

SHT 1.1

NOTE:
 A POSITIVE GOING VOLTAGE AT THE INPUT
 TERMINAL CAUSES A DECREASE IN PRESSURE
 AT THE SOUND OUTLET.



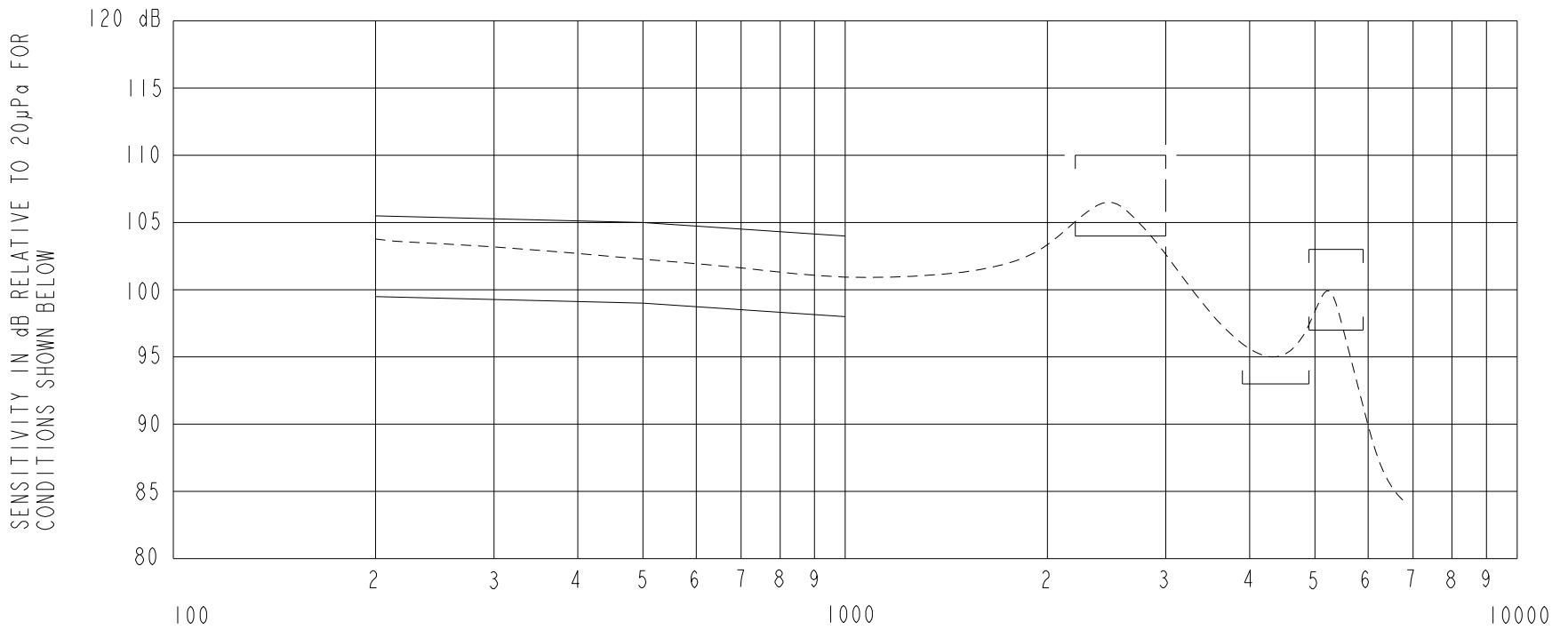
SCALE 2:1
 NOMINAL WEIGHT
 .23 GRAMS

DIMENSIONS IN MILLIMETERS [INCHES]

Revision	C.O. #	Implementation Date	RELEASE LEVEL	REVISION
C	PI0001062	12-19-16	Active	C
B	CI0105311	2-15-07		
A	CI0103509	12-13-05		

SCALE: 4:1		DR. BY	DATE
DO NOT SCALE DRAWING		AB	12-13-05
TITLE: RECEIVER		CK. BY	DATE
OUTLINE DRAWING		GJP	12-21-05
ES-23167-000		APP. BY	DATE
SHT 1.1		GJP	12-21-05

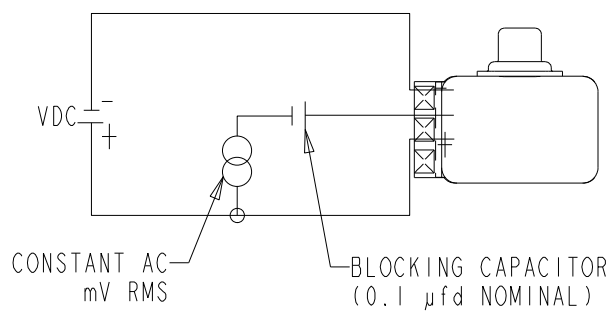
KNOWLES CORPORATION



NOTES:

FREQUENCY IN HERTZ

1. MEASUREMENTS MADE USING 10mm (.394") OF 1mm (.039") ID TUBE CONNECTED TO A SIMULATED ANSI S3.7 TYPE HA-3 COUPLER. (IEC 60318-5)
2. ELECTRICAL SIGNAL (SEE #5 BELOW).



3.

SENSITIVITY

FREQUENCY	MIN.	MAX.
200	99.5	105.5
500	99.0	105.0
1000	98.0	104.0
2200-3000	104.5	110.5
3900-4900	93.0	---
4900-5900	97.0	103.0

4. RESPONSE AND DISTORTION MEASUREMENTS MADE USING THE ELECTRICAL TEST CONDITIONS SHOWN BELOW.

5. INDIVIDUAL SPECIFICATIONS.

PORT LOCATION	MAX. DC SUPPLY CURRENT, mA		DISTORTION		ELECTRICAL TEST CONDITIONS	
	VDC= 1.3	VDC= 1.5	MAX. %	FREQ Hz	CONSTANT AC mV RMS	VDC
9C	0.375	0.575	5	800	25	1.3

Revision	C.O. #	Implementation Date	RELEASE LEVEL	REVISION
C	PI0001062	12-19-16	Active	C
B	CI0105311	2-15-07		
A	CI0103509	12-13-05		

KNOWLES CORPORATION

WHEN TEST LIMITS ARE USED TO ESTABLISH INCOMING INSPECTION ACCEPTANCE/REJECTION CRITERIA, CORRELATION OF TEST EQUIPMENT WITH KNOWLES IS ALSO REQUIRED FOR ELIMINATION OF EQUIPMENT AND TEST METHOD VARIATION

TITLE: RECEIVER
PERFORMANCE SPECIFICATION

ES-23167-000
SHT 2.1

DR. BY	DATE
AB	12-13-05
CK. BY	DATE
GJP	12-21-05
APP. BY	DATE
GJP	12-21-05